

# MAIN COMPONENTS

## FLOW TEMPERATURE CONTROLS

### FIXED FLOW TEMPERATURE COMPACT MIXER UNIT (BRASS MANIFOLDS)

REHAU

Principles of  
UFH

Main  
Components

Design Basics

Installation

REHAU  
Benefits

Revision & Test



- 3/4" Balancing Valve
- Temp. Gauge
- High Limit Stat -  
Set 15°C >max flow temp
- Grundfoss Pump (25-60)
- Phial Pocket (Temp. sensor)
- Fill & Drain Valve
- 3/4" Flow Valve with thermo-  
static head (range 20° to 50°C)

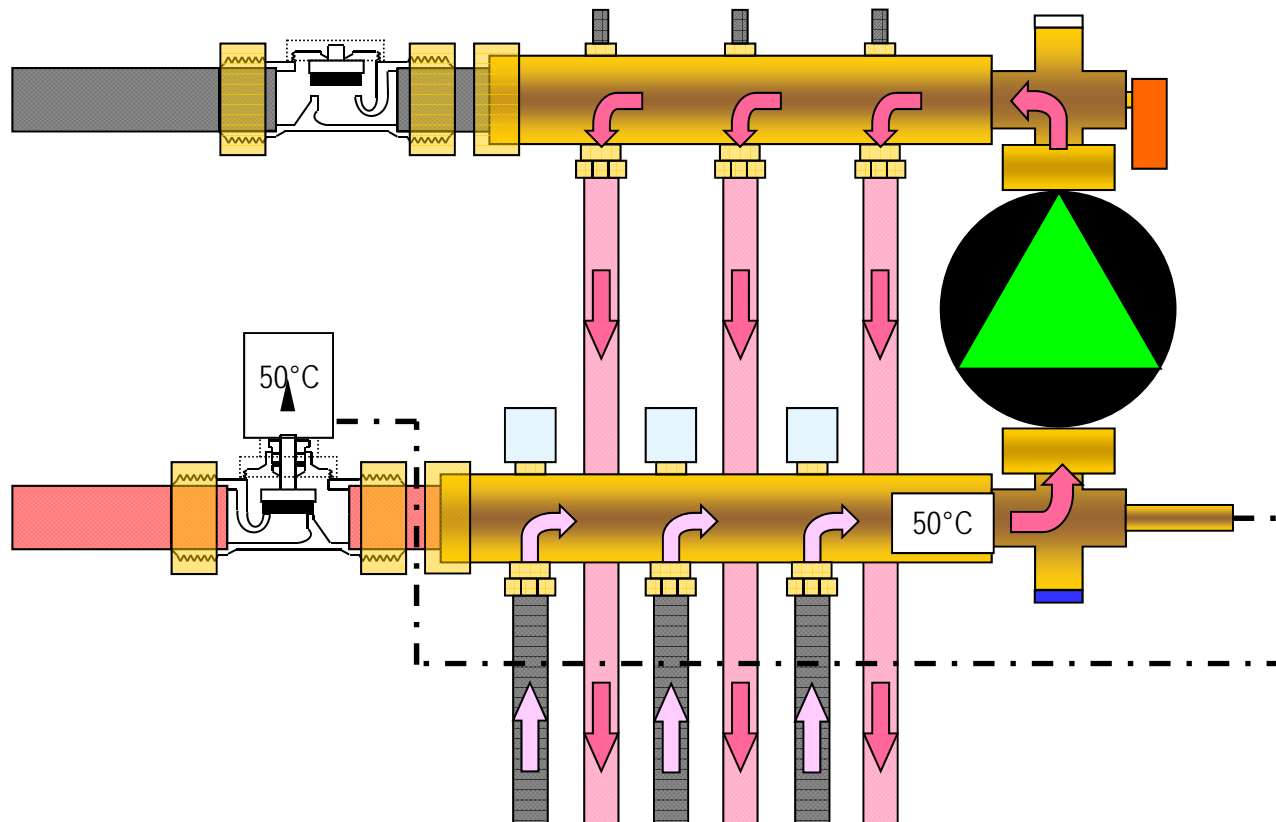
# MAIN COMPONENTS

## FLOW TEMPERATURE CONTROLS

### FIXED FLOW TEMPERATURE COMPACT MIXER UNIT (BRASS MANIFOLDS)

Operation (same operating principle applies to Universal Mixer Unit)

REHAU
Principles of UFH
<b>Main Components</b>
Design Basics
Installation
REHAU Benefits
Revision & Test



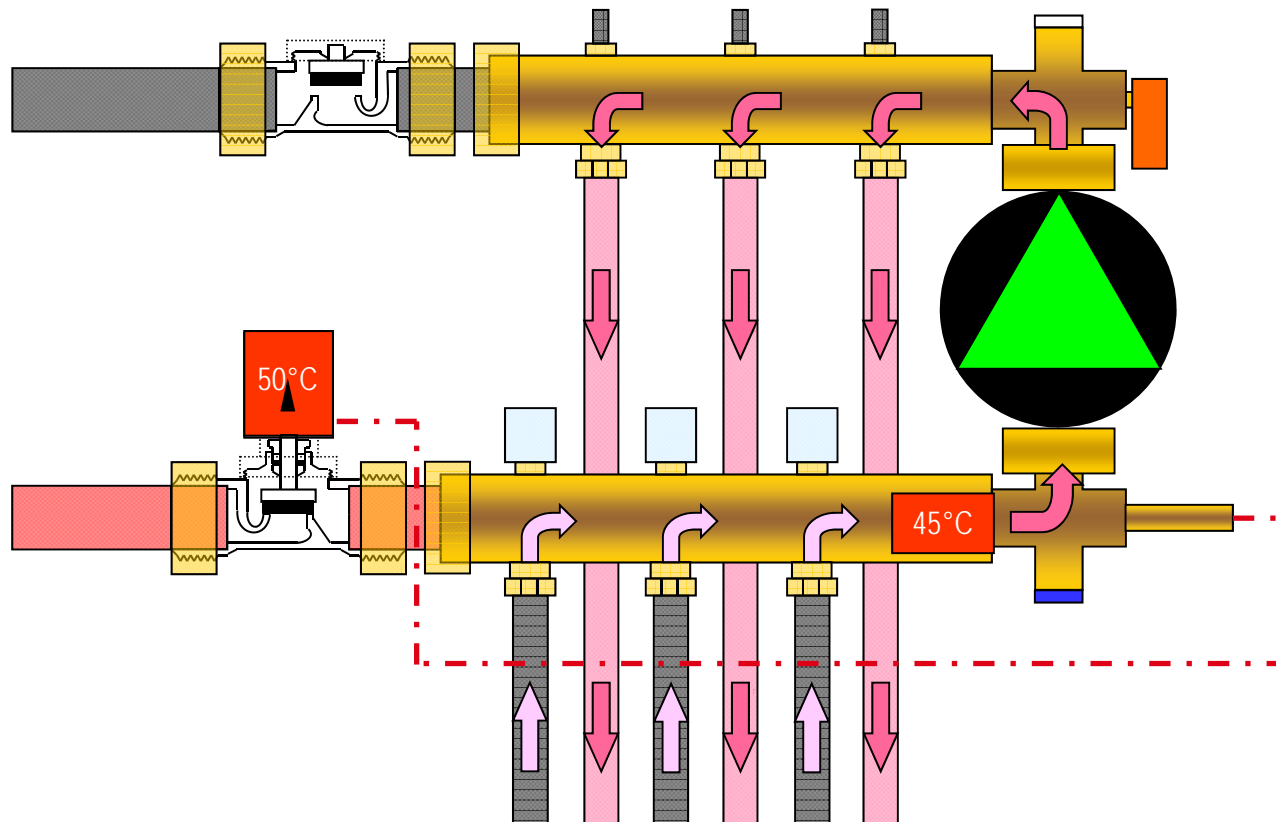
# MAIN COMPONENTS

## FLOW TEMPERATURE CONTROLS

### FIXED FLOW TEMPERATURE COMPACT MIXER UNIT (BRASS MANIFOLDS)

#### Operation

REHAU
Principles of UFH
<b>Main Components</b>
Design Basics
Installation
REHAU Benefits
Revision & Test



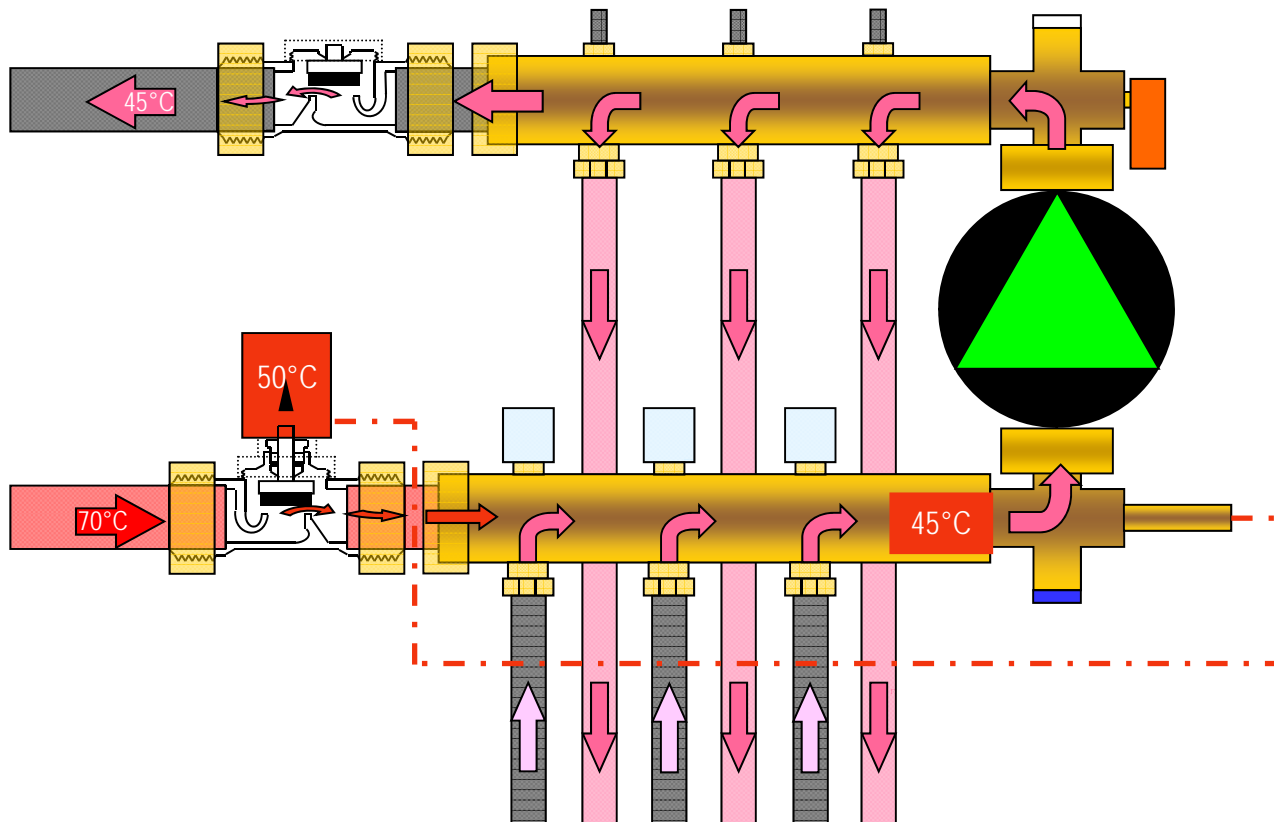
# MAIN COMPONENTS

## FLOW TEMPERATURE CONTROLS

### FIXED FLOW TEMPERATURE COMPACT MIXER UNIT (BRASS MANIFOLDS)

REHAU
Principles of UFH
<b>Main Components</b>
Design Basics
Installation
REHAU Benefits
Revision & Test

## Operation



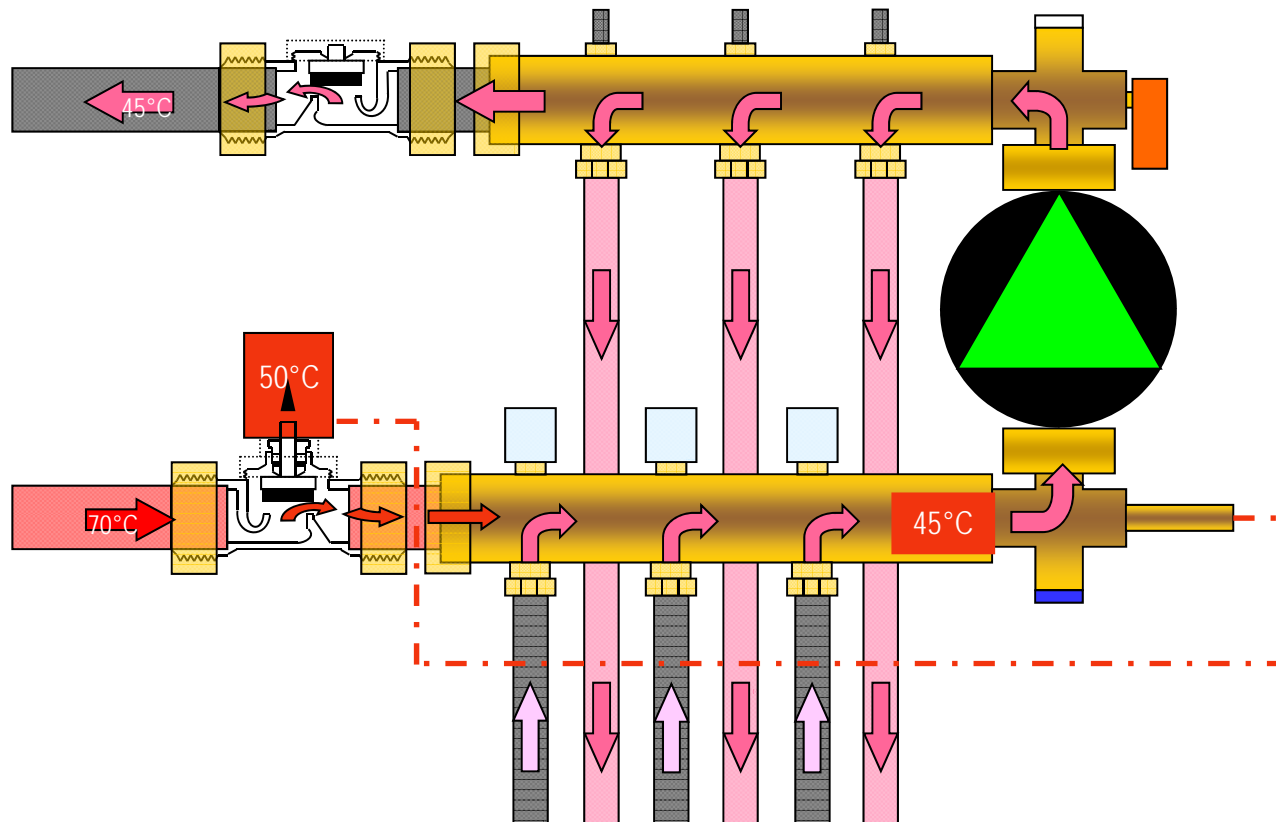
# MAIN COMPONENTS

## FLOW TEMPERATURE CONTROLS

### FIXED FLOW TEMPERATURE COMPACT MIXER UNIT (BRASS MANIFOLDS)

REHAU
Principles of UFH
<b>Main Components</b>
Design Basics
Installation
REHAU Benefits
Revision & Test

## Operation



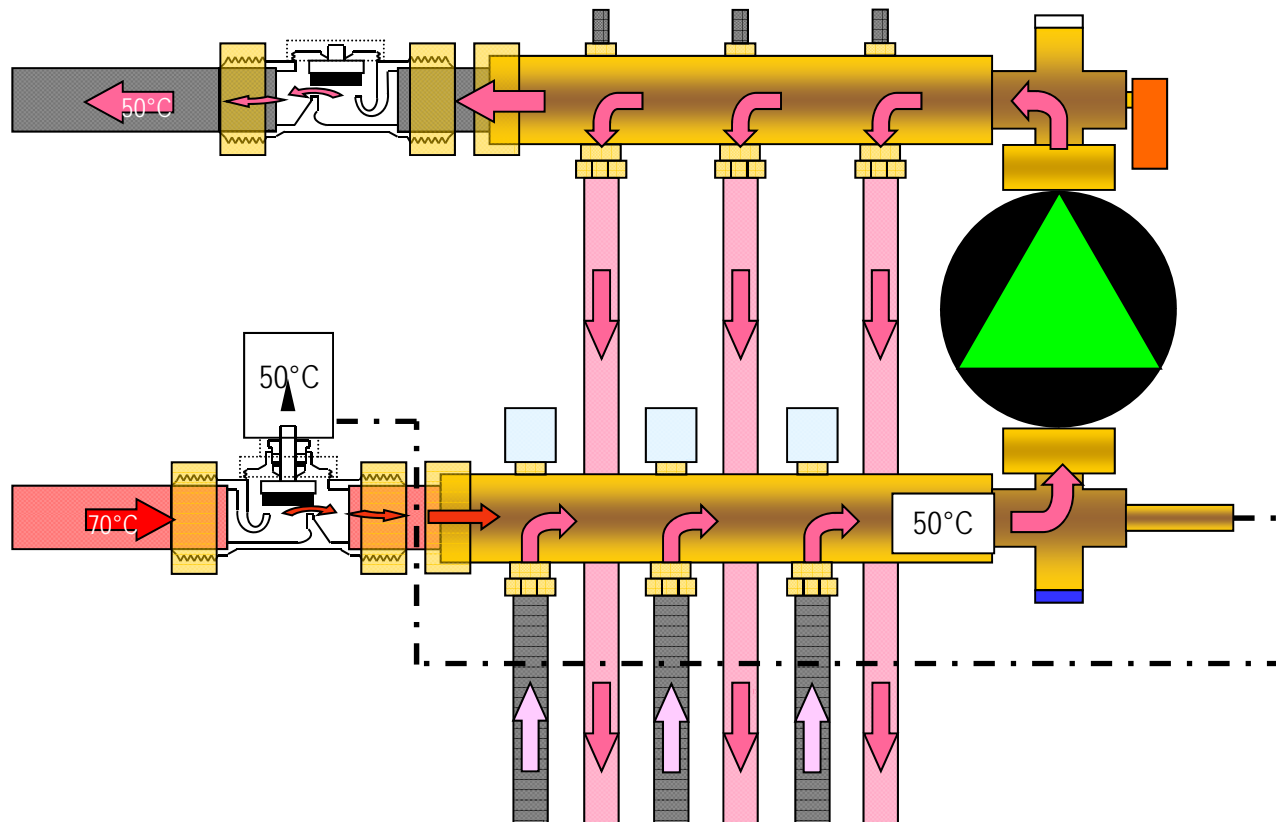
# MAIN COMPONENTS

## FLOW TEMPERATURE CONTROLS

### FIXED FLOW TEMPERATURE COMPACT MIXER UNIT (BRASS MANIFOLDS)

#### Operation

REHAU
Principles of UFH
<b>Main Components</b>
Design Basics
Installation
REHAU Benefits
Revision & Test



# MAIN COMPONENTS

## FLOW TEMPERATURE CONTROLS

### FIXED FLOW TEMPERATURE COMPACT MIXER UNIT (BRASS MANIFOLDS)

#### Operation

REHAU
Principles of UFH
<b>Main Components</b>
Design Basics
Installation
REHAU Benefits
Revision & Test

